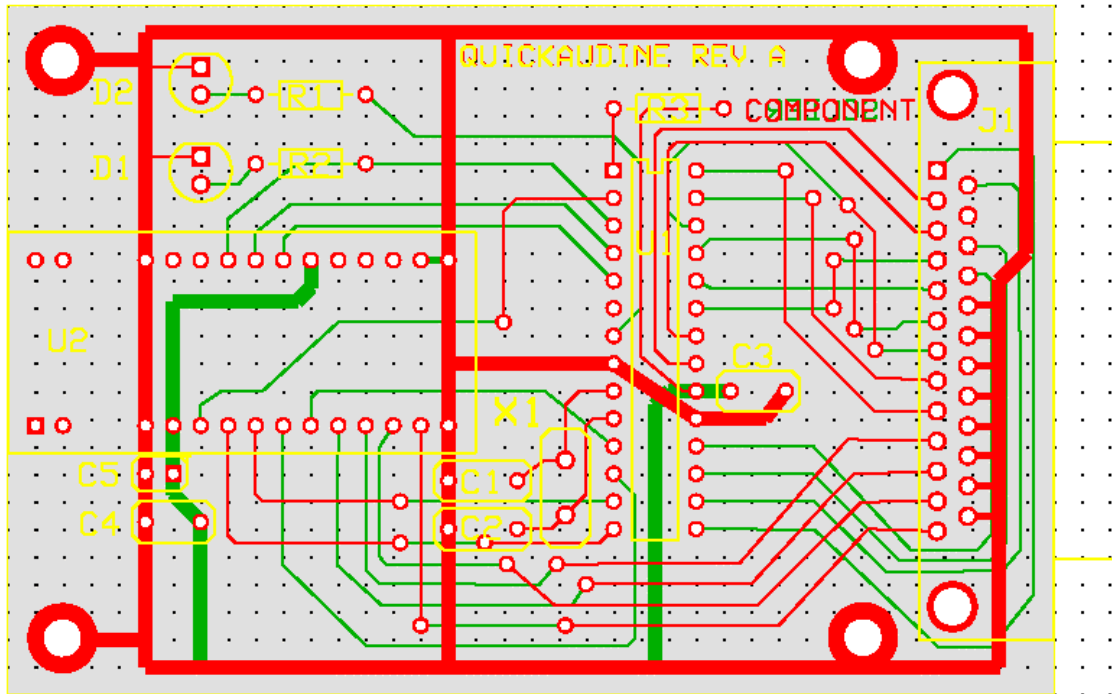


C:\htdocs\ccdpage\qastuff\quickaudine.sch - Sheet1



Bill of Materials QuickAudine Rev A

C1	15pf	DigiKey 1330PH-ND
C2	15pf	DigiKey 1330PH-ND
C3	1uF	DigiKey 3013PH-ND
C4	1uF	DigiKey 3013PH-ND
C5	10uF 16V TANTALUM	DigiKey 399-1403ND
D1	LED 5MM YELLOW DIFFUSED	DigiKey 160-1133-ND
D2	LED 5MM HI-EFF RED DIFFUSED	DigiKey 160-1127-ND
J1	Right angle PC mount DB-25 connector	DigiKey A2102-ND
R1	2.2K ¼W	DigiKey 2.2KQBK-ND
R2	2.2K ¼ W	DigiKey 2.2KQBK-ND
R3	10K ¼ W	DigiKey 10KQBK-ND
U1	[note 1] PIC16F876	DigiKey PIC16F876-20I/SP-ND
U1	[note 2] PIC18F252	DigiKey PIC18F252-I/SP-ND
U2	USBMOD2	http://www.hobbyengineering.com/SectionIN.html
X1	[note 1] 20MHZ	Digikey 300-6042-ND
X1	[note 2] 10MHZ	Digikey 300-6021-ND
	SOCKET 28pin .0300	DigiKey AE7321-ND
	SOCKET 32pin .600	DigiKey AE7322-ND
	CRYSTAL INSULATOR	DigiKey 492-1039-ND
	PCB	ExpressPCB MiniBoard Service

Notes:

[1] - part for French 16F876 version

[2] - part for my 18LF252 version

